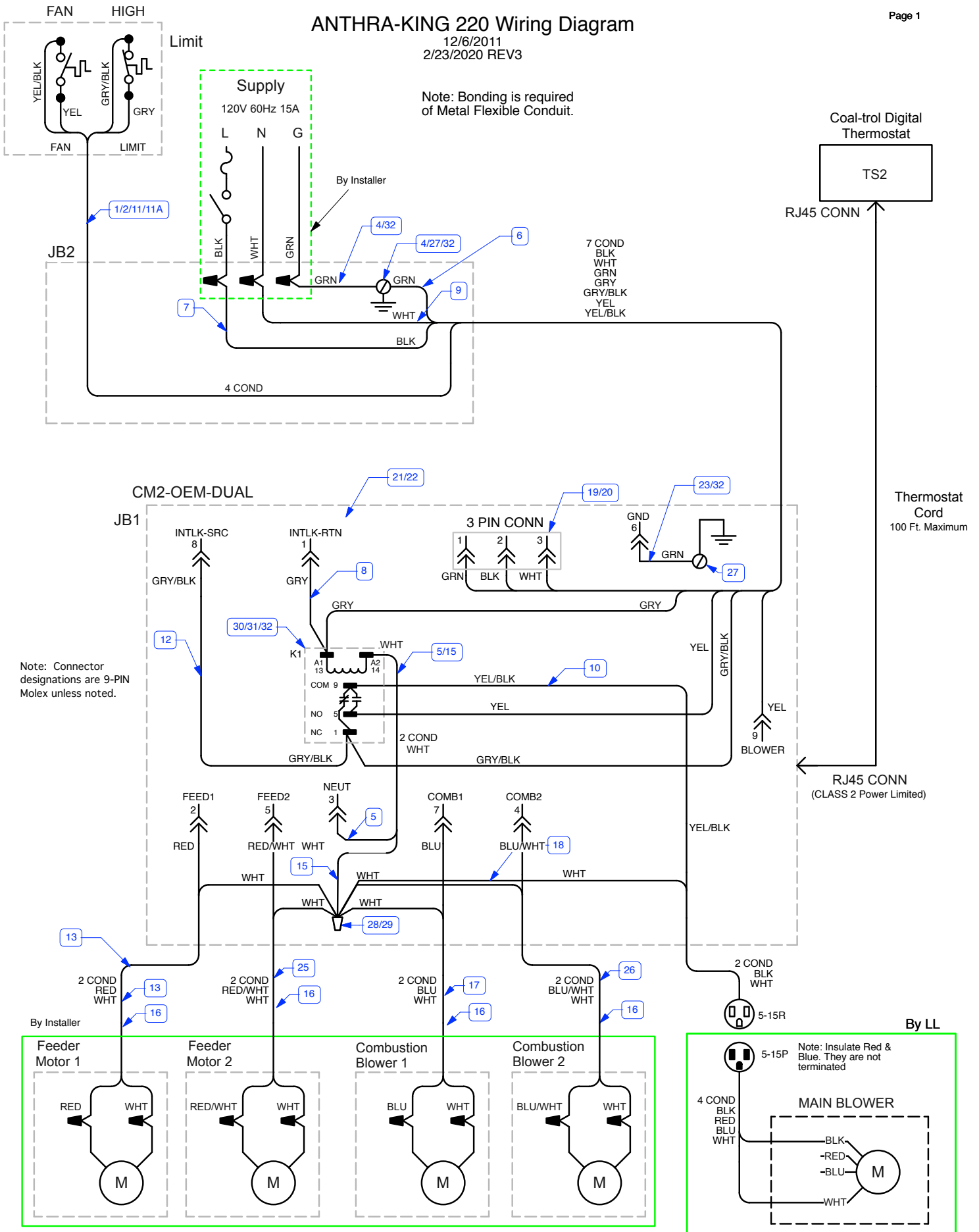


ANTHRA-KING 220 Wiring Diagram

12/6/2011
2/23/2020 REV3

Note: Bonding is required
of Metal Flexible Conduit.



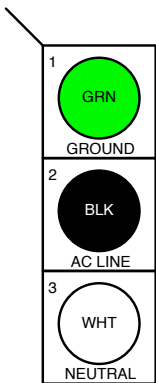
ANTHRA-KING 220 Wiring Diagram

12/6/2011
2/23/2020 REV3

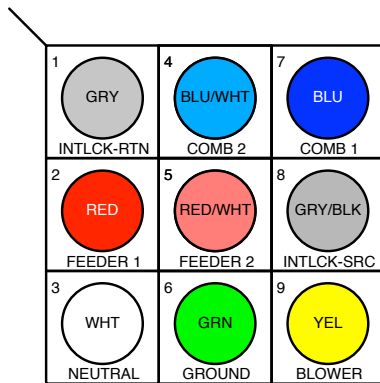
BOM

Item	Assembly	POS	Qty.	Length (IN)	Desc
1	Limit		1	84	Wire, 18g, GRY
2	Limit		1	84	Wire, 18g, GRY/BLK
3	GND-Wire		1	8	Wire, 16g, GRN
4	GND-Wire		2	8	Wire, 16g, GRN/W/Ring Lug,#10
5	Splice Cap		1	8	Wire, 18G, WHT
6	Molex-3P-110/220	1	1	40	Wire, 18g, GRN
7	Molex-3P-110/220	2	1	44	Wire, 18g, BLK
8	Molex-9P-220	1	1	8	Wire, 18G, GRY
9	Molex-3P-110/220	3	1	44	Wire, 18G, WHT
10	5-15R		1	14	Wire, 18G, YEL/BLK
11	Molex-9P-220	9	1	84	Wire, 18G, YEL
11A	Limit		1	88	Wire, 18G, YEL/BLK
12	Molex-9P-220	8	1	8	Wire, 18G, GRY/BLK
13	Molex-9P-220	2	1	40	Wire, 18G, RED
14	Misc		2	40	Wire, 18G, WHT
15	Molex-9P-220	3	1	44	Wire, 18G, WHT
16	Misc		4	40	Wire, 18G, WHT
17	Molex-9P-220	7	1	40	Wire, 18G, BLU
18	5-15R		1	14	Wire, 18G, WHT
19	Molex-3P-110/220		1	1	Molex connector, 3 POS
20	Molex-3P-110/220		3	1	Molex pin
21	Molex-9P-220		1	1	Molex connector, 9 POS
22	Molex-9P-220		9	1	Molex pin
23	Molex-9P-220	6	1	8	Wire, 16g, GRN/W/Ring Lug,#10
24					
25	Molex-9P-220	5	1	40	Wire, 18G, RED/WHT
26	Molex-9P-220	4	1	40	Wire, 18G, BLU/WHT
27	Misc		2		#10 Ground Screw, GRN
28	Misc		1		Splice Cap, No 2007
29	Misc		1		Crimp Connector, No 2006
30	Relay K1		1		Relay Base, 781-1C-CKT
31	Relay K1		1		Relay, 781-1C-120A
32	GND		3		Ring Lug, #10

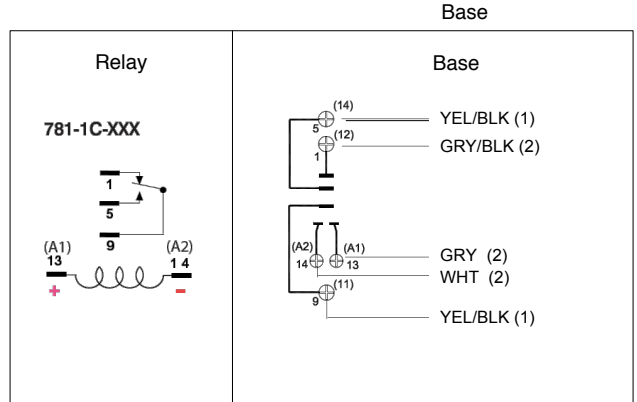
Molex 3-Pin
(View from wire side)



Molex 9-Pin
(View from wire side)

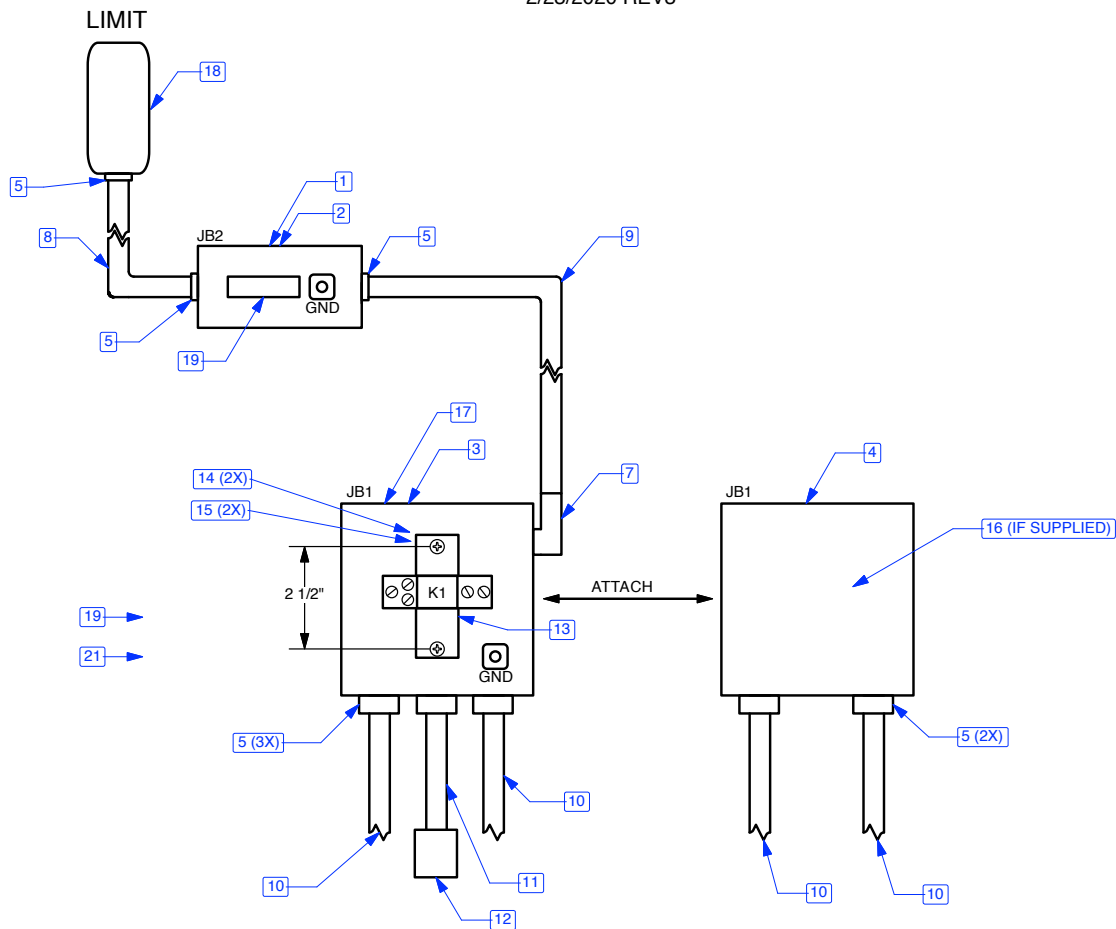


Relay K1 Detail



ANTHRA-KING 220 Conduit Plan

12/6/2011
2/23/2020 REV3



BOM

Item	Assembly	POS	Qty.	Length (IN)	Description
1	Conduit		1	1	2 1/8"x4"x1 1/4" Utility Box w/Gnd Terr
2			1	1	2 1/8" x 4" Blank Cover
3			1	1	4 11/16" Sq. Wiring Box
4			1	1	4 11/16" Sq. Wiring Extension Box
5			5	1	Connector, FMC, YL 3/8"
7			1	1	Connector, FMC 90, YL 3/8"
8			1	42	FMC Conduit, 3/8"
9			1	26	FMC Conduit, 3/8"
10			4	26	FMC Conduit, 3/8"
11			1	5	FMC Conduit, 3/8"
12			1	1	Receptacle, PS515-CACC20 P&S
13			1	3	DIN Rail
14			2	1	Screw, #10 x 3/4"
15			4	1	Nut, #10
16			1	1	Control Module CM2-OEM-DUAL
17			1	1	Bracket, Leisure Line
18			1	1	High Limit Control , Leisure Line
19			1	1	Label, 1/2 x 1 3/4. Power Connection
20			1	1	Carton, 16x16x6, Uline S-4536
21			15	1	Anti-short Bushing 3/8", No 0 MM

General Notes

1. Use Loctite on Bracket mounting screws.