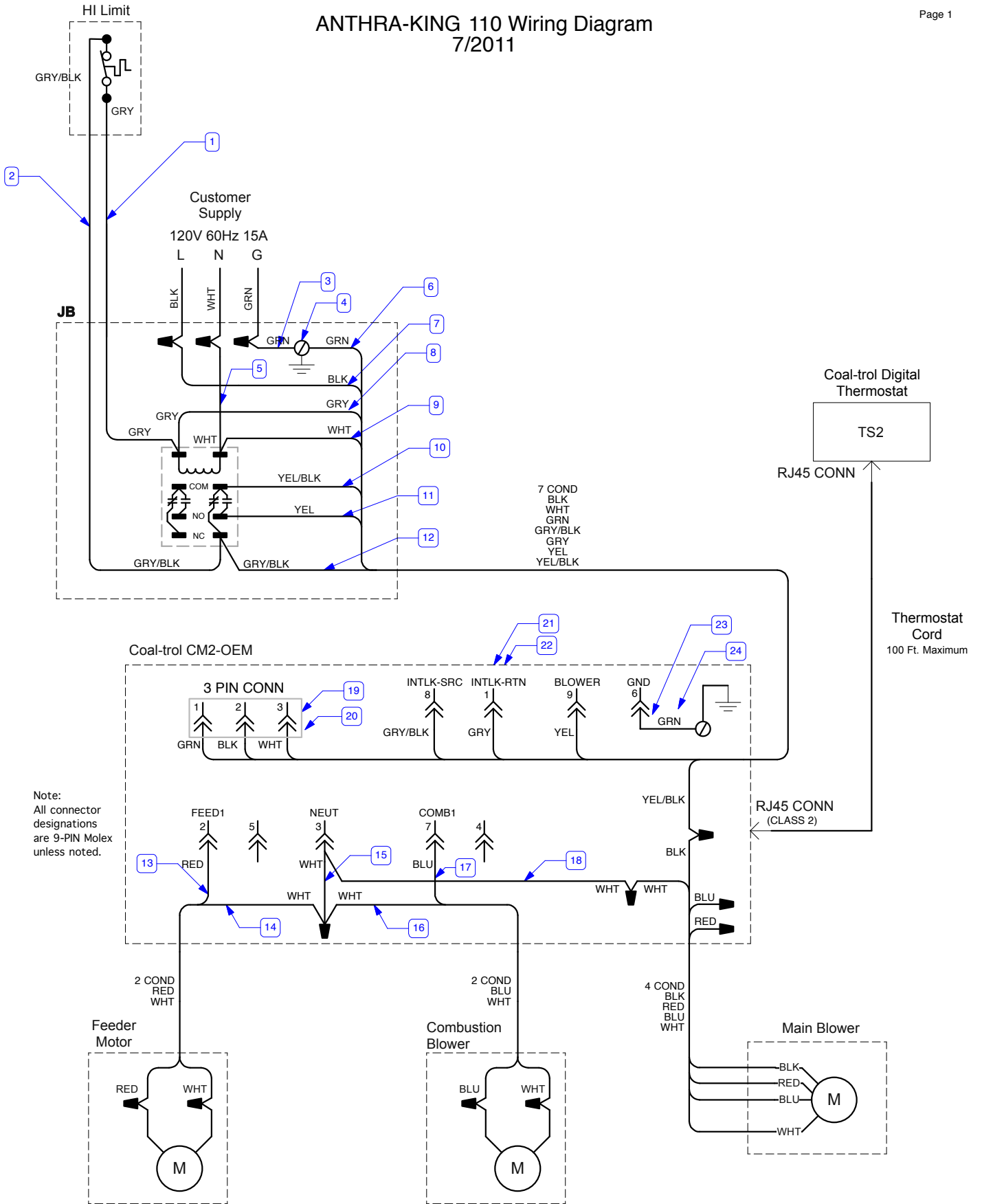


ANTHRA-KING 110 Wiring Diagram 7/2011



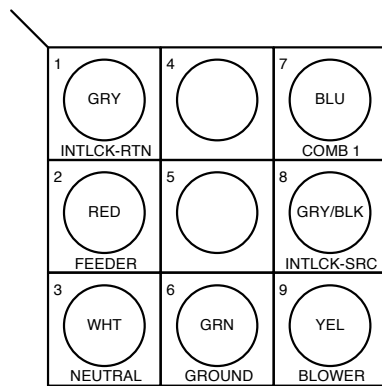
Note:
All connector designations are 9-PIN Molex unless noted.

ANTHRA-KING 110 Wiring Diagram 7/2011

BOM

Item	Assembly	Qty.	Length (IN)	Desc
1	Misc	1	48	Wire, 18g, GRY
2	Misc	1	48	Wire, 18g, GRY/BLK
3	GND-Wire	1	6	Wire, 16g, GRN
4	GND-Wire	1		Ring Lug, #10, YEL
5	Misc		10	Wire, 18G, WHT
6	Molex-3P-110/220	1	36	Wire, 18g, GRN
7	Molex-3P-110/220	1	36	Wire, 18g, BLK
8	Molex-9P-110	1	36	Wire, 18G, GRY
9	Molex-3P-110/220	1	36	Wire, 18G, WHT
10	Misc	1	36	Wire, 18G, YEL/BLK
11	Molex-9P-110	1	36	Wire, 18G, YEL
12	Molex-9P-110	1	36	Wire, 18G, GRY/BLK
13	Molex-9P-110	1	36	Wire, 18G, RED
14	Misc	1	36	Wire, 18G, WHT
15	Molex-9P-110	1	10	Wire, 18G, WHT
16	Misc	1	36	Wire, 18G, WHT
17	Molex-9P-110	1	36	Wire, 18G, BLU
18	Molex-9P-110	1	10	Wire, 18G, WHT
19	Molex-3P-110/220	1		Molex connector, 3 POS
20	Molex-3P-110/220	3		Molex pin
21	Molex-9P-110	1		Molex connector, 9 POS
22	Molex-9P-110	7		Molex pin
23	Molex-9P-110	1	6	Wire, 16g, GRN
24	Molex-9P-110	1		Ring Lug

Molex 9-Pin
(View from wire side)



Molex 3-Pin
(View from wire side)

